



## PREMIUM RANGE LED PANEL LUMINAIRE

956-011 - CYFELCO 1 RPR 14W 840

### PRODUCT DATASHEET

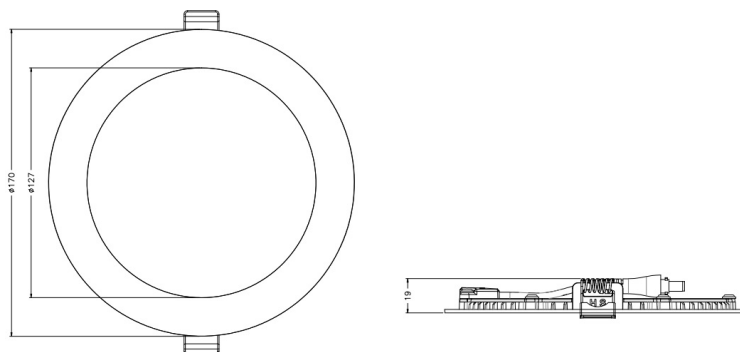
Slim housing round recessed panel luminaires with CRI80, for suspended ceilings and plaster board ceilings

#### Areas of application

- Direct replacement for luminaires with compact fluorescent lamps
- Offices, shops, conference rooms, reception areas, foyers, stairways, corridors
- Suitable for surface installation via aluminium surface mounting frame

#### Product Features

- CRI>80 and up to 85lm/W
- Energy Class F
- External driver for extended flexibility and easy installation
- Flicker-Free
- Lifetime (L70/B50): up to 15,000 h (at 25 °C)
- 2 Years Warranty



## TECHNICAL DATA

### Operating and Electrical

Input Voltage	220-240V AC
Line Frequency	50/60 Hz
Nominal Power Consumption	<b>14 W</b>
Power Factor	>0.5
Total Harmonic Distortion	<20%
Protection Class	Class II
Driver	External
Connection	Push in connector

### Over Time Performance

Lifespan L70/B50 at 25 °C	>15000 hrs
---------------------------	------------

### Application

Ambient Temperature Range	-25 to +40 °C
Ingress Protection Code	IP20
Mech. Impact Protection	IK04
Application Environment	Indoor
Mounting Type	Recessed/Surface
Dimmable	No

### Logistics

Dimensions	Φ170x17 mm
Cut-out	Φ155 mm
Packaging Size	180x30x200 mm
Gross Weight	0.260 Kg
Net Weight	0.220 Kg

### Directives

2014/30/EU	Electromagnetic Compatibility Directive
2014/35/EU	Low Voltage Directive
2011/65/EU	Restriction of Hazardous Substances Directive (RoHS)
2009/125/EU	Ecodesign Requirements for energy-related products

### Standards

EN 60598-1:2015	Luminaires part 1 General Requirements
EN 60598-2-1:1989	Part 2: Particular requirements-Section 1 Fixed general purpose luminaires
EN IEC 55015:2013 +A1	Limits and methods of measurement of radio disturbance characteristics of electrical lighting and similar equipment
EN 61547:2009	Equipment for general lighting purposes - EMC immunity requirements
EN IEC 61000-3-2:2014	Electromagnetic compatibility (EMC) - Part 3-2: Limits - Limits for harmonic current
EN 61000-3-3:2013	Electromagnetic compatibility (EMC) - Part 3-3: Limits - Limitation of voltage changes, voltage fluctuations and flicker in public low-voltage supply systems, for equipment
EN 62493:2015 A1/2022	Assessment of lighting equipment related to human exposure to electromagnetic fields

### Photometric Data

Luminous Flux	<b>1190 lm</b>
Luminous Efficacy	85 lm/W
Color Temperature	4000 K (Cool White)
Color Rendering Index	>80
SDCM	<5
Flickering metric (Pst LM)	<1
Stroboscopic Effect (SVM)	<0.4
Photobiological safety group	RG 0
Beam Angle	120°
UGR	<22

### Mechanical and Housing

Housing Material	Iron
Light Guide Plate (LGB)	PS
Diffuser	PS
Reflector	PET
Housing Color	White

Packaging	60 pcs per Carton
-----------	-------------------

Carton Box Gross Weight	16.2 Kg
-------------------------	---------

Carton Box Net Weight	13.2 Kg
-----------------------	---------

### Accessories/Options

Recessed installation	Torsion Springs
-----------------------	-----------------

Surface Installation	Mounting Frame (Optional)
----------------------	---------------------------

